



## SPECIFICATION SHEET

### 15" FREESTANDING VANITY CABINET

#### DMV1501



#### VANITY FEATURES

- Designed & Made in Canada
- Premium Select Canadian Maple & Birch Solid Wood and Plywood
- BLUM® European style six-way soft close 110-degree door hinges.
- RICHELIEU® Full Extension concealed soft-close undermount slides.
- Match finished interior cabinet
- Handles sold separately and not pre-drilled for design convenience
- 1 Door, 1 Drawer

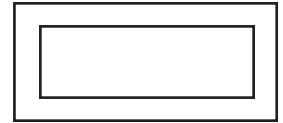
#### DM BATH 2-YEAR LIMITED WARRANTY

For warranty details visit [www.dmbath.com](http://www.dmbath.com)

#### DOOR STYLE OPTIONS



SLAB PANEL (SL)



2" SHAKER PANEL (SH)

#### WOOD FINISH OPTIONS

For full colour options visit [www.dmbath.com](http://www.dmbath.com)

#### RELATED PRODUCTS Sold Separately

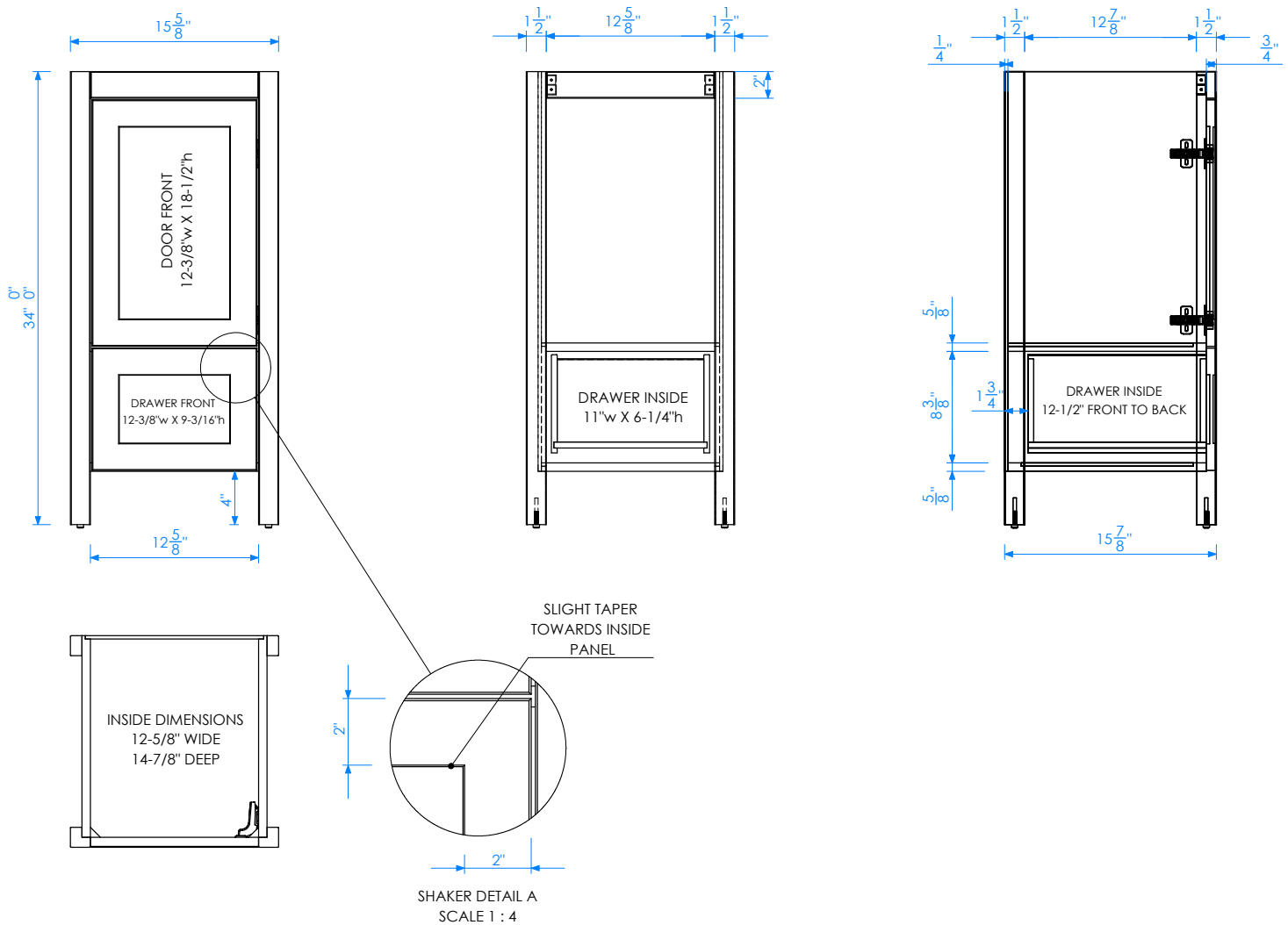
DCT16	16" x 16" MATT Integral Sink Top
DMT15-11	16" Quartz Countertop with Vessel Sink Cut
DMVS04W	Boden Circular Vessel Sink
MRG20	20 7/16" Frameless Bevel Edge Mirror

#### SPECIFICATION VARIANCE

Our products are constructed to maintain close dimensional tolerances that may vary slightly during the manufacturing of materials; normally +/- 1/8", occasionally more. In most cases, this slight variation does not affect installation, appearance or function. We recommend that you measure the actual cabinet before you frame, design or finish the space for your vanity. We can not be held responsible by the end user if this guideline is not followed. We reserve the right to make revisions without prior notice to product specifications.



**SPECIFICATION SHEET**  
**15" FREESTANDING VANITY CABINET**  
**DMV1501**

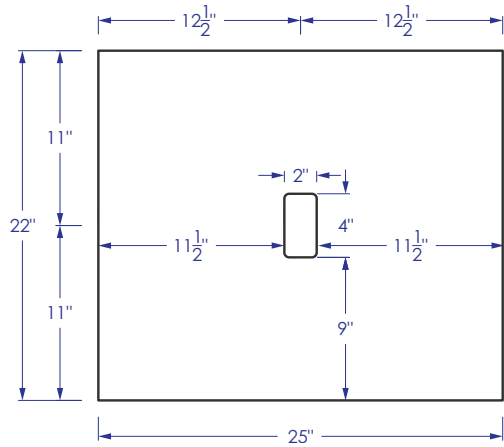


**IMPORTANT NOTE** Please install product according to installation instructions.

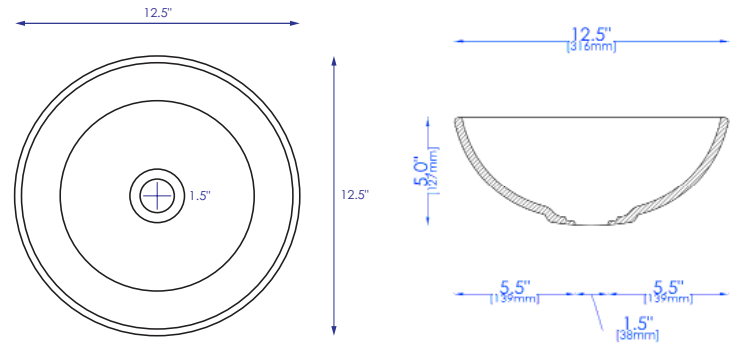
**QUICK SPECIFICATION LOOKUP** FREQUENTLY BOUGHT TOGETHER

**16" QUARTZ COUNTERTOP  
DMT16 STANDARD / DMTP16 PREMIUM**

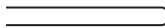

VESSEL SINK CUT  
NO DRILL HOLE OR VESSEL SINK CUT INCLUDED



**BODEN CIRCULAR VESSEL SINK  
DMVS04W**



**SIDE PROFILE VIEW**

-  **0.75" STANDARD; EASED EDGE PROFILE**
  -  **1.5" PREMIUM; CHOICE OF EDGE PROFILE**
- For Premium Edge Profile Options visit [www.dmbath.com](http://www.dmbath.com).

**16" X 16" MATT INTEGRAL SINK TOP DCT16**

